

**Class – 10**  
**Subject –Science**  
**(paper II)**

**Competency Statement 1.2 :- To understand evolution theories or living and state there characteristics.**

**Q. 1 – The spongy body is supported by Fibers (page no. 67)**

- 1) Oscula                      2) Spicules                      3) Medusa                      4) Cnidoblast

**Q.2 – Identify the hermaphrodite animal from the following (page no. 72)**

- 1) Bivalve                      2) Doliolum                      3) Loa Loa                      4) Ascaris

**Q. 3- The Process of synthesis of RNA is called as (page no.2)**

- 1) Transcription              2) Translocation              3) Mutation                      4) Translation

**Q. 4 –The substance formed by specific chemical bond between fatty acid and alcohol are called (p.n.16)**

- 1) Insulin                      2) ossein                      3) Actin                      4) Lipids

**Q.5 - What is NADH<sub>2</sub>**

- 1) name of disease      2) name of enzyme      3) name of cell      4) membrane of cell

**Q.6- Fragmentation is takes place in -----?**

- 1) amoeba      2) planarian      3) euglena      4) paramecium

**Competency Statement 1.3**

**To explain reproductive systems of plants and animals.**

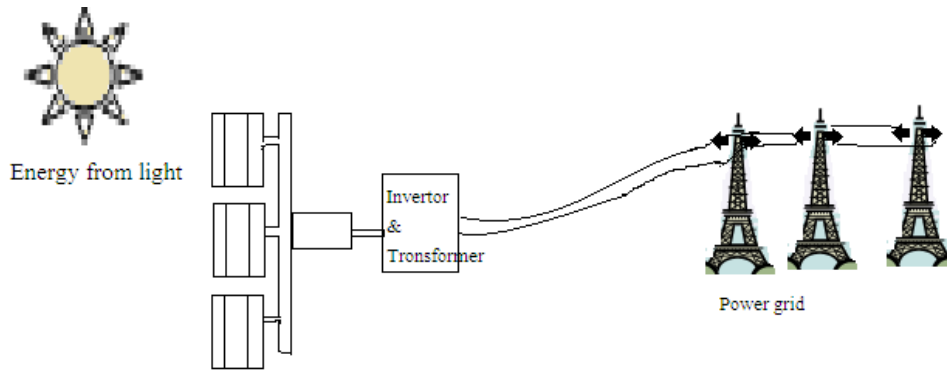
**Q.1 Many flowers have the stalk for support called as -----**

- 1) sessile                      2) colyr                      3) Pedicel                      4) carpel

**Q.2 -This is a ----- sexual diseases**

- 1) Gonorrhoea              2) Asthma                      3) obesity                      4) Heart attack

**Q.3 – Write the proper word in the box?**

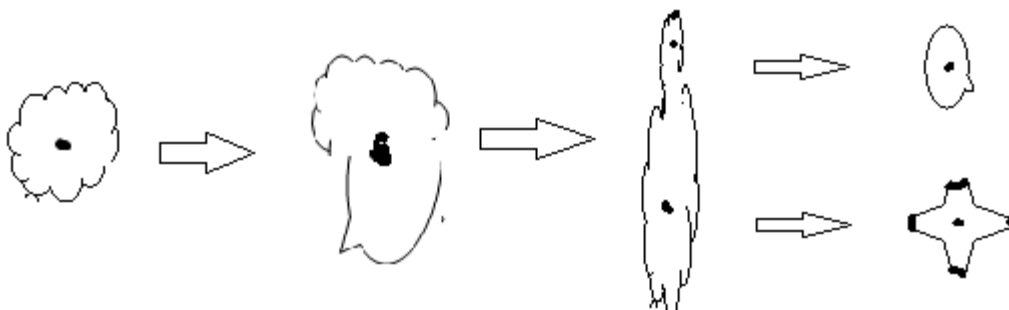


- 1) Solar Energy      2) Steam turbine      3) Inverter      4) Battery

**Q.4 -which parts of flower is 'accessory whorls'?**

- 1) stigma      2) ovary      3) calyx      4) style

**Q.5 –.**



**Name the above type of fission?**

- 1) Longitudinal fission      2) Transverse binary fission  
3) Simple binary fission      4) Multiple fission

**Competency Statement 2.1:- To explain role of environmental guard by conservation of environment, various laws and rules.**

**Q. 1–The propose of scared grove is to save (page. No43)**

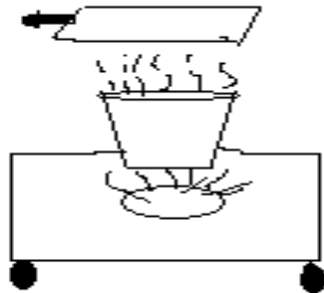
- 1) wild life only    2) air from pollution    3) Atmospheric pollution    4) save forest

**Q. 2- 22<sup>nd</sup> may is ----- day.**

- 1) world biodiversity day    2) science day    3) leave tobacco    4) National soil day

**Compertency statement 2.2 :- To adopt scientific life style in the role of environmental guard. (page.no. 63)**

**Q.1 In the diagram, students are looking at a lid with process has taken place at the lid?**



- 1) Evaporation    2) sublimation    3) condensation    4)boiling

**Q. 2 – why is Mercury used in thermometer**

- 1) Mercury is metal    2) Mercury is conductor of heat  
3) Mercury is heavy    4) Mercury is good conductor of heat.

**Competency Statement 3.4 :-****To find out various problems regarding conservation of ecosystems.****Q. 1– The number of organisms is extremely less and continues to decline. These species are called as ----- (page no. 45)**

- 1) Endangered species    2) Rare Species    3) Vulnerable species    4) Indeterminate species